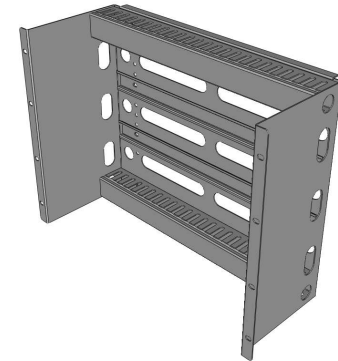
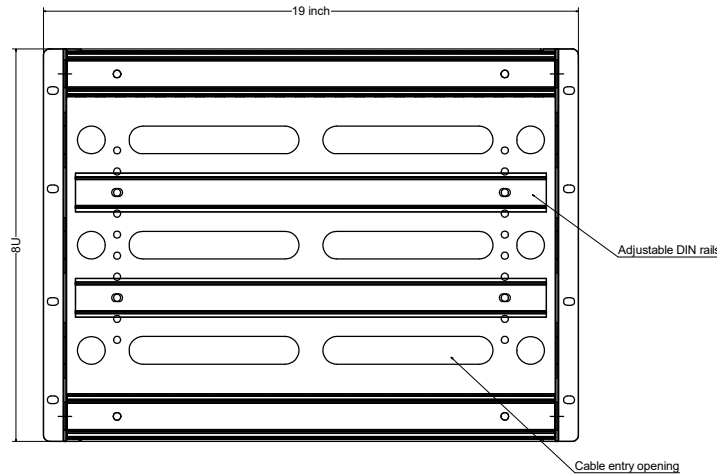
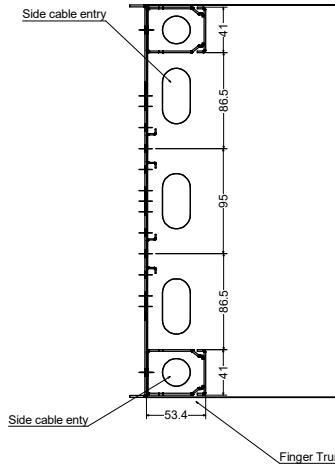
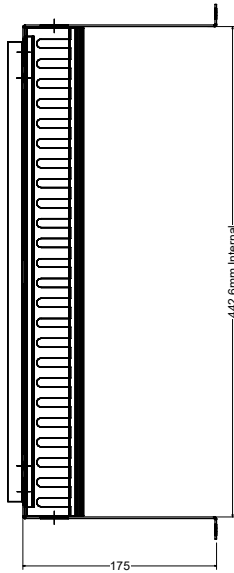
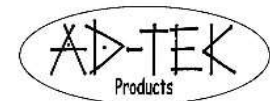


Type	Name	Description	Qty
------	------	-------------	-----



<b>Description.</b>	8u 19" Rack Mount DIN Rail Panel Bracket		<b>Material.</b>	Designed by	<b>Customer</b>
			1.5 Mild Steel	Shane	
<b>Drawing No.</b>	Rev.	Scale	<b>Finish</b>	Date	Units 31-37, Broton Drive, Broton Industrial Estate, Halstead. Essex. CO9 1HB Telephone : 01787 474470 e-mail : sales@ad-tekproducts.co.uk
			8UDIN	0	



All rights strictly reserved reproduction or issue to third parties in any form whatsoever is NOT permitted without written consent from Ad-Tek Products