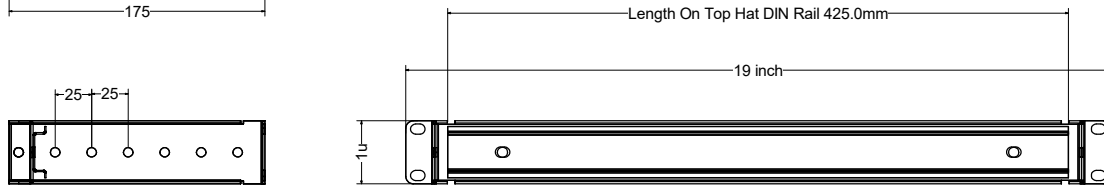
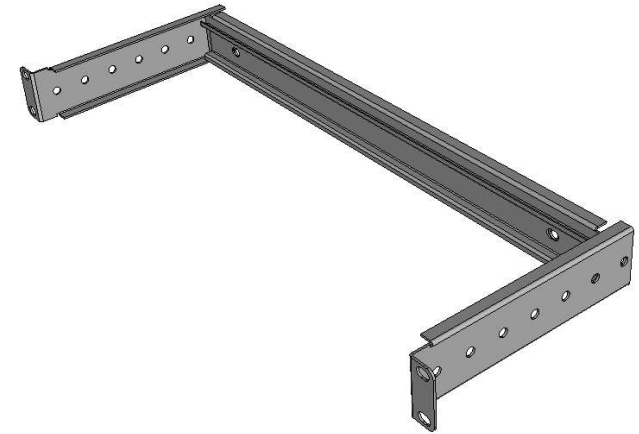



Fits all standard 19 inch Racks



Adjustable in 25.0mm segments

Description. 1u 19" Rack Adjustable Mount DIN Rail Panel Bracket		Material. 1.5 Mild Steel		Designed by Shane	Customer AD-TEK
				Date	
Drawing No. AD1U-ADJ-DIN	Rev. 0	Scale 1 : 1	Finish	Tolerance + / - 0.2mm	 Units 31-37, Broton Drive, Broton Industrial Estate, Halstead. Essex. CO9 1HB Telephone : 01787 474470 e-mail : sales@ad-tekproducts.co.uk

All rights strictly reserved reproduction or issue to third parties in any form whatsoever is NOT permitted without written consent from Ad-Tek Products