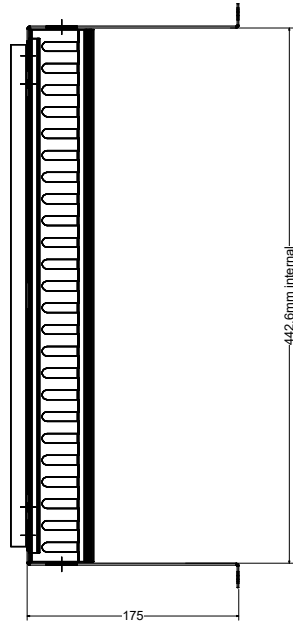
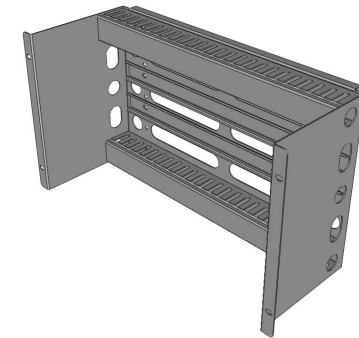
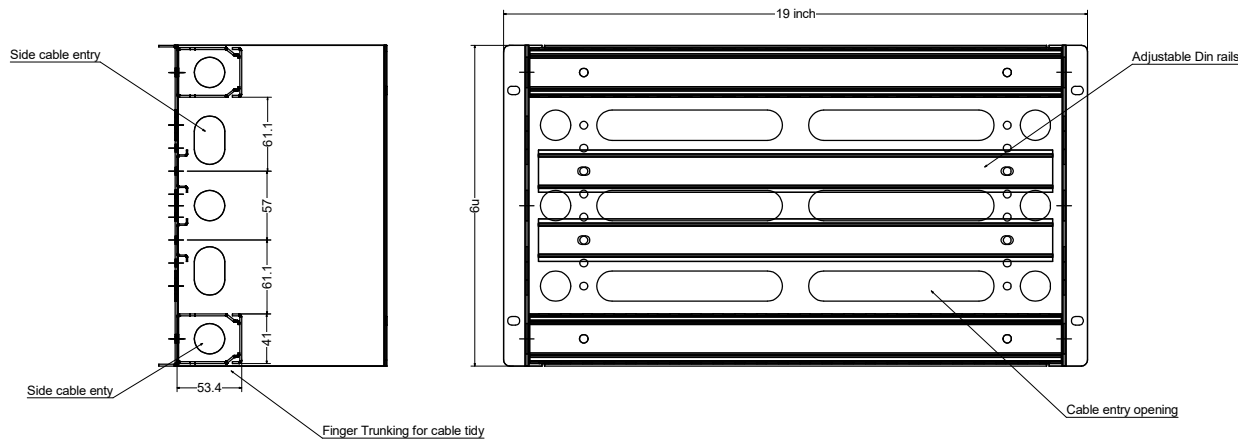


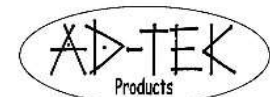
Type	Name	Description	Qty
------	------	-------------	-----



Screw DIN Rail and finger trunking onto



Description.	6u 19" Rack Mount DIN Rail Panel Bracket		Material.	Designed by		Customer
				Shane		
Drawing No.	Rev.	Scale	Finish	Date		Units 31-37, Broton Drive, Broton Industrial Estate, Halstead. Essex. CO9 1HB Telephone : 01787 474470 e-mail : sales@ad-tekproducts.co.uk
				+ / - 0.2mm		



All rights strictly reserved reproduction or issue to third parties in any form whatsoever is NOT permitted without written consent from Ad-Tek Products